



MITSUBISHI
HEAVY INDUSTRIES, LTD.

RESIDENTIAL AIR CONDITIONERS **R22**

Heat pump



For a better tomorrow
High performance Air conditioner

07R02E-A-0

CONSTANT SPEED MODEL

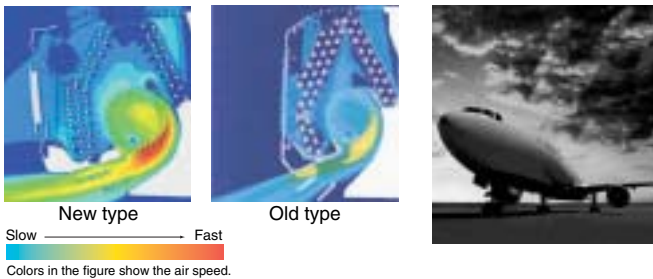
SRK-HG series

Aircraft technology was used in the design of the air conditioner's airflow system

Jet Air Scroll

We used the same aerodynamic analysis technology as used in developing jet engines.

CFD (computational fluid dynamics), used in blade shape design of jet engines, has been applied to the design of air channels in air conditioners to develop the ideal air channel system (air circulation). The airflow of the jets created in this system enable a large volume of air to be blown with minimum power consumption, yet the air flow is uniform, quiet and reaches points a long distance from the blower.



Generates the same amount of negative ions as a forest environment

24-hour ION

The air conditioner main body employs a tourmaline-coated sheet. The sheet generates negative ions around the clock. Even when the air conditioner is not running, it generates as many negative ions (2,500– 3,000/cc) as in a forest, stream or fall does, allowing you to experience them without incurring any electrical charges.



Always keeping the indoor unit clean

Self Clean operation

"Self clean operation" is operated for 2 hours after the unit has stopped its normal operation. The indoor unit is dried up and the growth of mold is restrained. Users can select whether this mode is utilized or not.

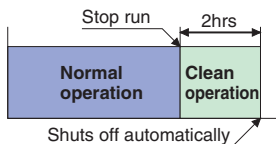
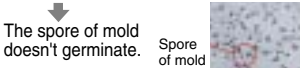


Situation of mold after one week

When you don't execute "Self Clean Operation"



When you execute "Self Clean Operation"



Anti-microbial specifications and design will deliver cleanliness and safety

Anti-microbial blower fan

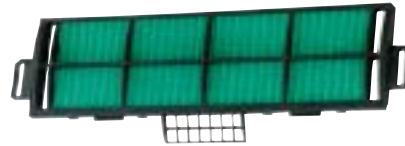
The blower fan has undergone anti-microbial treatment to resist mold and germs, making the system clean and safe. Foul odors and molds, etc. which can occur when an air conditioning system is not in operation are prevented.



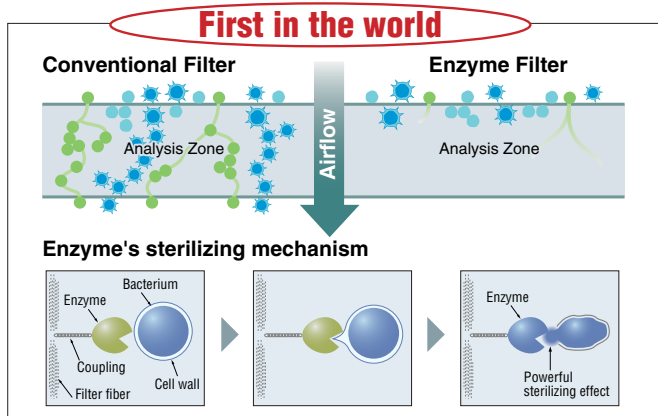
Sure to destroy fungi and bacteria, also effective on viruses and allergenic compounds (Cat hair, dust mite, pollen etc.)

Natural Enzyme Filter

The first release in this range of the enzyme-sterilizing filter



Enzymes used in these filters are naturally occurring lytic enzymes. The lytic enzymes attack cell walls of microorganisms trapped on a filter and destroy them and doing so, have a powerful sterilizing effect which will effect decrease the number of molds and bacteria. Natural Enzyme Filter will clean and sanitize air passing through it to keep air in the room clean and safe.

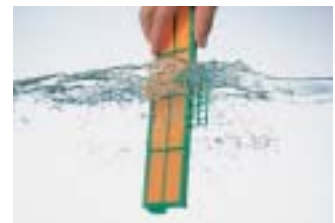


The deodorizing ability of this filter can be easily restored simply by cleaning and exposing to the sunlight

Photocatalytic Washable Deodorizing Filter



It will keep the air fresh by deodorizing the molecules causing odor. Its deodorizing power can be restored by washing with water and drying under the sun, as such it is a Recycling deodorizing filter capable of repeat use.



Long lasting

Silicon-coated PCB

The printed wiring board of the outdoor unit is coated by silicon. It lasts long having a tolerance for humidity.

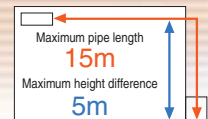


SRK20HG, SRK28HG, SRK40HG



SRC20HG, SRC28HG, SRC40HG

Refrigerant pipe length



SRK20HG SRK28HG SRK40HG

R22

Heat Pump

SPECIFICATIONS

Item	Model (Indoor unit/Outdoor unit)		SRK20HG/SRC20HG	SRK28HG/SRC28HG	SRK40HG/SRC40HG
Power source			1Phase, 220/230/240V, 50Hz		
Cooling capacity	ISO-T1(JIS)	kW	2.07	2.53	3.5
Heating capacity	ISO-T1(JIS)	kW	2.36	2.67	3.7
Cooling input		kW	0.655	0.77	1.09
Heating input		kW	0.64	0.685	1.09
COP (In cooling)			3.16	3.29	3.21
COP (In heating)			3.69	3.90	3.39
Cooling current		A	2.9/3.1/3.3	3.6/3.4/3.2	5.0/4.8/4.6
Heating current		A	2.9/3.1/3.3	3.2/3.0/2.8	5.0/4.8/4.6
Sound power level	Cooling(Indoor/Outdoor)	dB(A)	53/59	55/60	56/63
	Heating(Indoor/Outdoor)	dB(A)	53/59	56/60	57/64
Sound pressure level	Cooling(Indoor)	dB(A)	Hi:35 Me:28 Lo:26	Hi:39 Me:33 Lo:30	Hi:40 Me:38 Lo:34
	Heating(Indoor)	dB(A)	Hi:34 Me:31 Lo:27	Hi:39 Me:33 Lo:29	Hi:40 Me:38 Lo:34
Exterior dimensions(H×W×D)	Indoor/Outdoor	mm	268×790×199/540×780×290		
Net weight	Indoor/Outdoor	kg	8.5/28	8.5/31	8.5/38
Refrigerant piping	O.D	mm(in)	Liquid line: φ6.35 (1/4") Gas line: φ9.52 (3/8")		Liquid line: φ6.35 (1/4") Gas line: φ12.7 (1/2")
	Connecting method		Flare connecting		
Refrigerant			R22		
Clean filter			Natural Enzyme Filter×1	Photocatalytic Washable Deodorizing Filter×1	

Comfortable Functions

Auto **Automatic Operation**
The air conditioner automatically selects from among heating, cooling and dry operations.

HI POWER **"HI POWER" Operation**
The unit can operate continuously in "HI POWER" mode for 15 minutes. This mode is convenient to reach the desired temperature quickly.

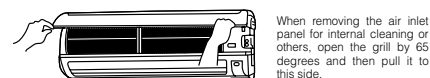
3HOT **Three "Hot" System**
This series offers three "hot" systems. "Hot start" allows the unit to begin operating immediately, while the "hot spurt" fast-heating system works to increase the temperature setting by two degrees. The "hot keep" system is used during automatic defrosting or to prevent the influx of cool air. These three operational control systems help ensure comfortable and efficient heating.

Maintenance & Prevention Functions

MC **Microcomputer-Operated Defrosting**
This mode automatically eliminates frost, and helps minimize excessive operation in other modes.

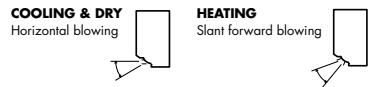
Self Diagnostic **Self-Diagnostic Function**
In the case that the air conditioner malfunctions, an internal microcomputer automatically runs a self-diagnosis. (Inspection and repair should be performed by authorized dealers.)

Detachable **Detachable Indoor Air Inlet Panel**
The air inlet panel on the indoor unit opens and closes easily, making filter cleaning simple. The suction panel can also be removed.



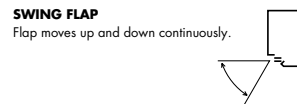
Comfortable Air Flow Functions

Auto Flap **Auto Flap Mode**
Whatever the operating mode is, the unit automatically selects the optimal angle.



Memory **Memory Flap**
While the flap is swinging, it can be stopped at any angle desired. The flap returns to the position that it was in when operation last stopped.

UP/DOWN **Up/Down Flap Swing**
The UP/DOWN flap can be adjusted to the preferred operations angle, ranging from horizontal to perpendicular.



Others

Back-up Switch **Back-up Switch**
On the main unit, there is a backup on/off switch, which is useful when you can't use remote control, or batteries are flat.

Auto Restart **Auto Restart Function**
Power blackout auto restart function is a function that records the operational status of the air-conditioner immediately prior to it being switched off by a power cut, and then automatically resumes operations at that point after the power has been restored.

Convenience & Economy Functions

On Timer **On Timer**
This facility enables the operation to start a little earlier, so that the room approaches optimum temperature at ON time when the operation is started by ON-TIMER. Thus it will try to be at the temperature you want, when you want.

Economy **Economy Mode**
The unit realizes effective energy saving operation, while still keeping a comfortable cooling and heating condition.

Dry **Dry Operation**
The unit dehumidifies the room by intermittent cooling operation.

On 24h Timer **24-hour On/Off Programmable Timer**
By combining a start timer with a stop timer, you can register two timer operations a day. Once set, timers will faithfully start or stop the system at a specified time of the day repeatedly.

Off Timer **Off Timer**
The unit stops automatically at the set time.

Sleep **Sleep Mode**
The room temperature is automatically controlled during the set sleep mode period, ensuring that room temperature will not get too cold or too hot.

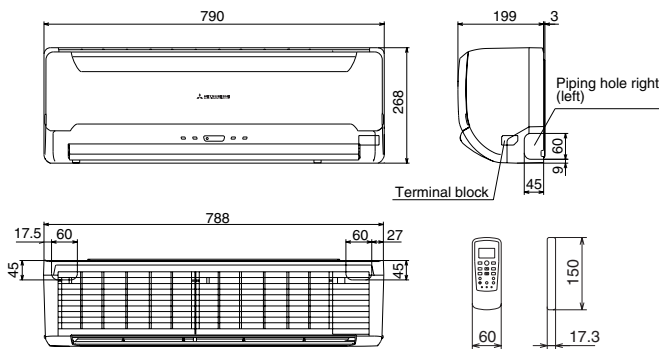
24h ION **24-hour ION**
Tourmaline-coated sheet generates negative ions around the clock. Even when the air conditioner is not running, it generates as many negative ions as a forest, stream or fall does, allowing you to experience them without incurring any electricity charges.

Luminas **Luminas Button**
With wireless "Luminas" remote controls that even "glow in the dark", it is possible to operate all desired functions of the unit with the click of a button.

Dimensions

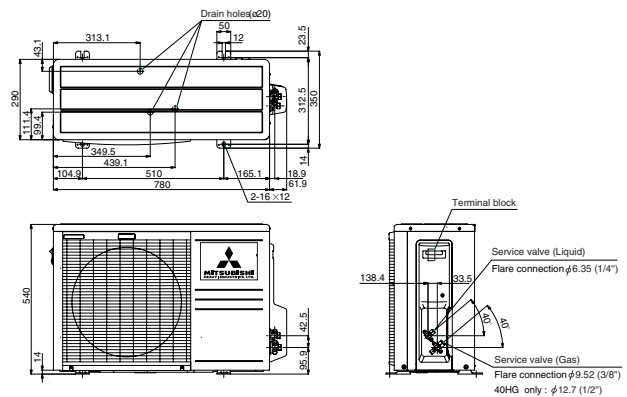
INDOOR UNIT

SRK20HG, SRK28HG, SRK40HG



OUTDOOR UNIT

SRC20HG, SRC28HG, SRC40HG



Before starting use

Before use

Always read the "User's Manual" thoroughly before starting use.

Heating performance

The heating performance values (kW) described in catalog are the values obtained by operating at an outdoor temperature of 7°C and indoor temperature of 20°C as set forth in the ISO Standards. As the heating performance decreases as the outdoor temperature drops, if the outdoor temperature is too low and the heating performance is insufficient, use other heating appliances as well.

Installation

Always commission the installation to a dealer or specialist. Improper installation will lead to water leakage, electric shocks and fires. Make sure that the outdoor unit is stable in installation. Fix the unit to stable base.

Usage place

Do not install in places where combustible gas could leak or where there are sparks. Installation in a place where combustible gas could be generated, flow or accumulate, or places containing carbon fibers could lead to fires.

Use in oil atmosphere

Avoid installing this unit in an atmosphere where oil scatters or builds up, such as in a kitchen or machine factory. If the oil adheres to the heat exchanger, the heat exchanging performance will drop, mist may be generated, and the synthetic resin parts may deform and break.

Use in acidic or alkaline atmosphere

If this unit is used in an acidic or alkaline atmosphere such as hot spring areas having high levels of sulfuric gases, places where the exhaust of the heat exchanger is sucked in, or at coastal areas where the unit is subject to salt breezes, the outer plate or heat exchanger, etc., will corrode. Please ask a dealer or specialist when you use an air conditioner in places differing from a general atmosphere.

Use in snowy areas

Take the following measures when installing the outdoor unit in snowy areas.

•Snow-prevention

Install a snow-prevention hood so that the snow does not obstruct the air intake port, and so that the snow does not enter and freeze in the outdoor unit.

•Snow piling

In areas with heavy snow fall, the piled snow could block the air intake port. In this case, a frame that is 50cm or higher than the estimated snow fall must be installed underneath the outdoor unit.



Head Office : Mitsubishi Heavy Industries, Ltd. 16-5 2-Chome Kounan Minato-ku Tokyo 108-8215, Japan

<http://www.mhi.co.jp>

ISO9001

Our Air Conditioning & Refrigeration Systems Headquarters is an ISO9001 approved factory for residential air conditioners and commercial-use air conditioners (including heat pumps).



BIWAJIMA PLANT
Mitsubishi Heavy Industries, Ltd.
Air-conditioning & Refrigeration Systems Headquarters
Certified ISO 9001
Certificate number : JQA-K0709
Date of certification : December 18, 1994



MITSUBISHI HEAVY INDUSTRIES-
MAHAJAK AIR CONDITIONERS CO., LTD.
Certified ISO 9001
Certificate Number : 04100 1998 0819
Date of Registration : October 1998

ISO14001

Our Air Conditioning & Refrigeration Systems Headquarters has been assessed and found to comply with the requirements of ISO14001.



BIWAJIMA PLANT
Mitsubishi Heavy Industries, Ltd.
Air-conditioning & Refrigeration Systems Headquarters
Certified ISO 14001
Certificate number : JQA-E3M056
Date of certification : November 20, 1998

Because of our policy of continuous improvement, we reserve right to make changes in all specifications without notice.



Recycled paper with 100% compounding ratio is used.



This catalogue uses recycled paper with 100% compounding ratio in consideration of the environment. It is printed with soybean ink which contains less organic solvent.